



SUPERABRASIVE
DIAMOND TOOLS AND EQUIPMENT



**CONCRETE FINISHING
PRODUCT CATALOG**



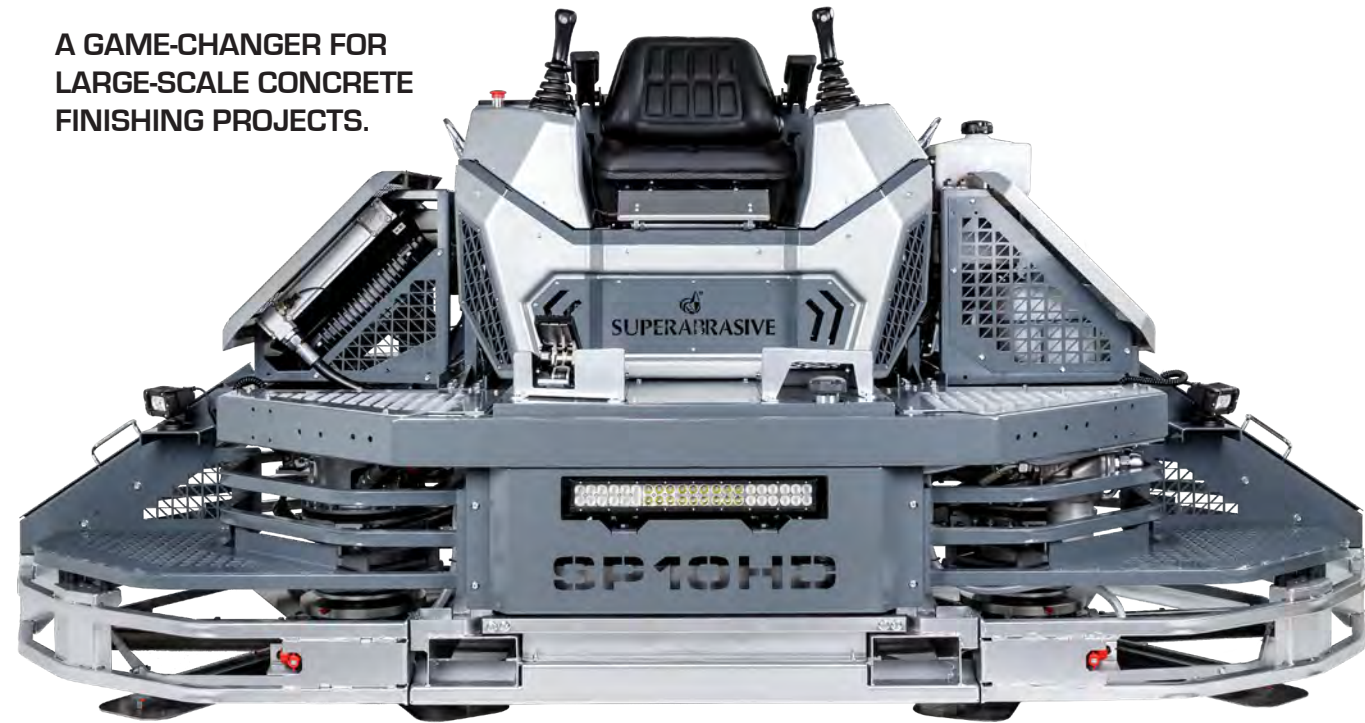
With over 35 years of manufacturing expertise, Superabrasive delivers equipment and tools engineered for exceptional performance and durability. Discover our new range of power trowels for professional concrete finishing.



**BEST-IN-CLASS EQUIPMENT AND TOOLS
SUPERIOR BY DESIGN. EXCEPTIONAL BY RESULTS.**

SP10HD

A GAME-CHANGER FOR LARGE-SCALE CONCRETE FINISHING PROJECTS.



SPECS

Engine:	KUBOTA WG3800
Engine Power:	87.1 hp / 65 kW
Engine Capacity:	3769 cc / 230 cu.in.
Engine RPM:	800-2600 rpm
Rotor RPM:	50-150 rpm
Path Width:	121.6 in / 309 cm
Pan Diam:	2 x 60 in / 150 cm
Rotor Diam:	2 x 57.8 in / 147 cm
Blades per Rotor:	6
Fuel Type:	Gasoline
Fuel Tank:	13.2 gal / 50 L
Retardant Tank:	5.5 gal / 20 L
Weight:	3060 lbs / 1390 kg
Machine Dims: (L x H x W)	126 x 60 x 63 in / 320 x 151 x 160 cm



ENGINEERED FOR EASY MAINTENANCE.

The innovative ergonomic design ensures easy access to all major components, simplifying inspection, servicing, and routine maintenance. Thoughtful layout and service-friendly access points reduce downtime, lower maintenance effort, and improve overall machine uptime.



INDUSTRIAL POWER. BUILT TO LAST.

Equipped with the Kubota WG3800 3.7-liter industrial engine, optimized for long operational life and heavy-duty use. Designed to withstand continuous workloads while maintaining stable power output and reliability over time.



PREMIUM HYDRAULICS. TOTAL RELIABILITY.

Bosch Rexroth hydraulic components and advanced controller deliver precise control and proven reliability. Premium-grade hoses and fittings protect the system, while intelligent load management prevents engine stalling, reduces wear, and maximizes uptime.



BUILT FOR SAFE TRANSPORT.

Integrated forklift pockets provide safe lifting and efficient transport without straps. Side strapping points and reinforced gussets allow secure transport without damaging seat or machine.



DESIGNED FOR THE OPERATOR.

Autopilot technology maintains consistent RPM directly from the joysticks, ensuring smooth, predictable operation. A full-color display delivers real-time performance metrics for complete operator awareness.



SUPERIOR LIGHTING DESIGNED FOR REAL USE.

A high-output LED light bar, paired with five fully adjustable work lights, delivers outstanding visibility in low-light conditions. Two magnet-mounted front lights allow flexible positioning, while three rear lights illuminate the entire working area behind the machine for safer operation.

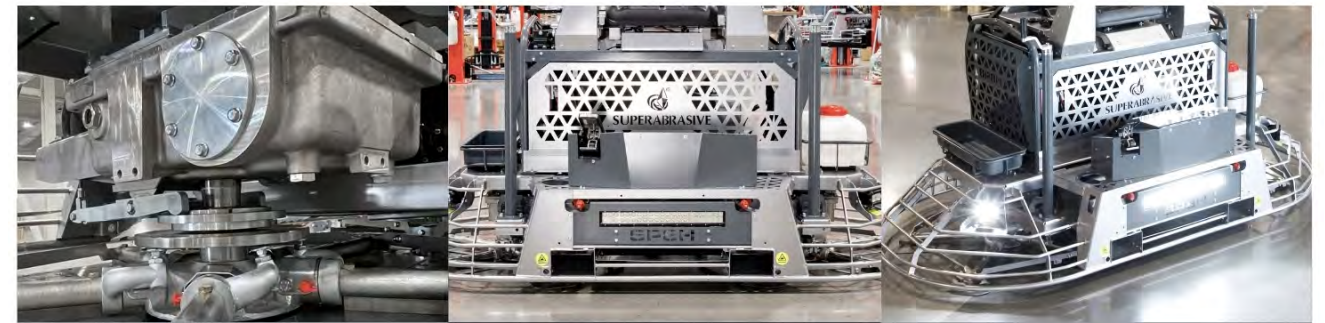
SP8H

IMPROVED FEATURES,
SERVICEABILITY & DURABILITY
TO KEEP CREWS PRODUCTIVE.



SPECS

Engine:	KUBOTA 1605
Engine Power:	57 hp / 42.5 kW
Engine Capacity:	1537 cc / 93.79 cu.in
Engine RPM:	750-3600 rpm
Rotor RPM:	30-180 rpm
Path Width:	93.9 in / 238 cm
Pan Diam:	2 x 46.5 in / 118 cm
Rotor Diam:	2 x 44.7 in / 114 cm
Blades per Rotor:	5
Fuel Type:	Gasoline
Fuel Tank:	7.7 gal / 29 L
Retardant Tank:	5.5 gal / 20 L
Machine Weight:	1672 lbs / 758 kg
Machine Dims: (L x H x W)	98 x 59x 49 in / 250 x 150 x 125 cm



LESS MAINTENANCE. MORE UPTIME.

Sealed-bearing driveline eliminates daily greasing, significantly reduces maintenance, and delivers long-lasting durability. In-house made helical gearbox, is precision-machined for long-term reliability and smoother power transfer.

PROTECTED WHERE IT COUNTS.

Protective shield between lift pockets reduces concrete splashing and protects the CVT and driveline from debris and impact. Improved fuel system eliminates cap-mounted float failures, reduces water intrusion, and improves fuel-level accuracy.

SEE BETTER. WORK SAFER.

Massive LED light bar plus four adjustable work lights provide excellent visibility during night and early-morning pours. Two front lights protected from impact, and two rear lights with magnetic attachment and telescopic cable for flexible positioning.



BUILT FOR SAFE TRANSPORT.

Integrated forklift pockets provide safe lifting and efficient transport without straps. Side strapping points and reinforced gussets allow secure transport without damaging seat or machine. Optional transport kit (A124).

DESIGNED FOR THE OPERATOR.

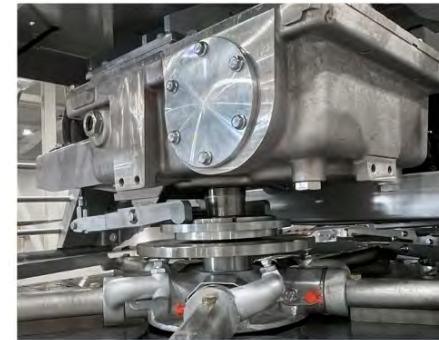
Hydro steering with two control modes reduces fatigue and improves usability; Digital information display provides real-time performance data and diagnostics; Convenience features to improve long-shift usability: Phone holder; USB charging port; Stainless steel cup holder.

DURABILITY-FOCUSED DETAILS

Central splash guard to reduce concrete splashing onto driveline; Protected spray nozzles to minimize breakage; Extended greasing points of the spider for easier access; Sealed main shaft assembly with O-ring seals to prevent moisture intrusion, reduce corrosion and shaft-to-spider seizure.

SP8

**BUILT TO LAST.
BUILT TO LEAD.**



**LESS MAINTENANCE.
MORE UPTIME.**

Sealed-bearing driveline eliminates daily greasing, significantly reduces maintenance, and delivers long-lasting durability. In-house made helical gearbox, is precision-machined for long-term reliability and smoother power transfer.



**PROTECTED
WHERE IT COUNTS.**

Protective shield between lift pockets reduces concrete splashing and protects the CVT and driveline from debris and impact. Improved fuel system eliminates cap-mounted float failures, reduces water intrusion, and improves fuel-level accuracy.



**SEE BETTER.
WORK SAFER.**

Massive LED light bar plus four adjustable work lights provide excellent visibility during night and early-morning pours. Two front lights are protected from impact, plus two rear lights with magnetic attachment and telescopic cable for flexible positioning.



SPECS

Engine:	Vanguard
Engine Power:	35 hp / 26 kW
Engine Capacity:	993 cc / 60.6 cu.in
Engine RPM:	1400-3800 rpm
Rotor RPM:	30-180 rpm
Path Width:	93.9 in / 2385mm
Pan Diam:	2 x 46.5 in / 118 cm
Rotor Diam:	2 x 44.7 in / 114 cm
Blades per Rotor:	5
Fuel Type:	Gasoline
Fuel Capacity:	6.5 gal / 25 L
Retardant Capacity:	6.5 gal / 25 L
Machine Weight:	1240 lbs / 560 kg
Machine Dims: (L x H x W)	98 x 59 x 49 in / 250 x 150 x 125 cm



**BUILT FOR
SAFE TRANSPORT.**

Integrated forklift pockets provide safe lifting and efficient transport without straps. Side strapping points and reinforced gussets allow secure transport without damaging seat or machine. Optional transport kit (A124).



**DESIGNED FOR
THE OPERATOR.**

Easy to use manual dual-lever steering with spring loaded assistant; Clear dash indicators (fuel, hours, alerts); Operator convenience features - phone holder, USB port, stainless steel cup holder. Tool-free access door with magnetic closure for fast blade changes and simplified maintenance.



**DURABILITY-FOCUSED
DETAILS**

Rubber-booted heim joints to extend joint life; Central splash guard to reduce concrete splashing onto driveline; Protected spray nozzles; Extended greasing points of the spider for easier access; Sealed main shaft assembly with O-ring seals to prevent moisture intrusion, reduce corrosion and shaft-to-spider seizure.

SP4S & SP4

46" WALK-BEHIND TROWELS



ELECTRIC START ON SP4S!

SP4S SPECS

Engine:	Honda GX390
Engine Power:	11.7 hp / 8.7 kW
Engine Capacity:	389 cc / 23.74 cu.in
Engine RPM:	3600 rpm
Rotor RPM:	50-200 rpm
Path & Rotor Diam:	45 in / 114 cm
Blades:	4
Fuel Type:	Gasoline
Fuel Tank Capacity:	1.6 gal / 6.1 L
Machine Weight:	306.4 lbs / 139 kg
Machine Work Dims:	84 x 30-45 x 48 in 214 x 75-115 x 121 cm
Transport Dims:	49 x 38 x 48 in / 128 x 96 x 121 cm

SP4 SPECS

Engine:	Honda GX270
Engine Power:	8.4 hp / 6.3 kW
Engine Capacity:	270 cc / 16.48 cu.in
Engine RPM:	3600 rpm
Rotor RPM:	70-125 rpm
Path & Rotor Diam:	45 in / 114 cm
Blades:	4
Fuel Type:	Gasoline
Fuel Tank Capacity:	1.4 gal / 5.3 L
Machine Weight:	265 lbs / 120 kg
Machine Work Dims:	84 x 30-45 x 48 in 214 x 75-115 x 121 cm
Transport Dims:	49 x 38 x 48 in / 128 x 96 x 121 cm

SP3

36" WALK-BEHIND TROWEL



SP3 SPECS

Engine:	Honda GX160
Engine Power:	4.8 hp / 3.6 kW
Engine Capacity:	163 cc / 9.95 cu.in.
Engine RPM:	3600 rpm
Rotor RPM:	90-135 rpm
Path & Rotor Diam:	36 in / 91 cm
Blades per Rotor:	4
Fuel Type:	Gasoline
Fuel Tank Capacity:	3.1 L / 0.82 gal
Machine Weight:	92 kg / 203 lbs
Machine Work Dims:	79 x 30-45 x 39 in / 200 x 75-115 x 98 cm
Transport Dims:	42 x 37 x 39 in / 107 x 94 x 98 cm



Optional Transport Kit
for SP3/SP4 - #A151

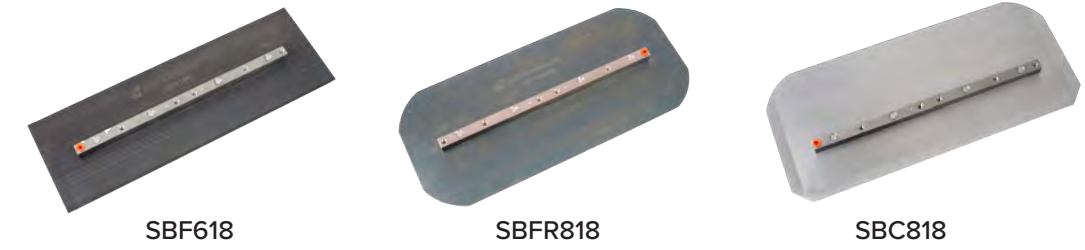
BUILT TO LAST LONGER, SERVICE EASIER, AND HOLD UP BETTER IN TOUGH CONDITIONS.



<p>Rubber stop holds the machine securely in the service position, improving safety and stability during maintenance.</p>	<p>Handle design folds forward, allowing the machine to be safely laid on its side for blade, spider, and bottom-end service without lifting the unit.</p>	<p>Compact folding handle with lifting point for forklift or crane handling.</p>
<p>Upgraded hardened steel thrust collar with rifled grease distribution improves lubrication efficiency and extends service life compared to bronze bushings.</p>	<p>Oversized main shaft with larger diameter reduces bending caused by transport, strapping, and vibration, helping maintain balance and extend service life.</p>	<p>Sealed main shaft assembly with O-ring seals to prevent moisture intrusion, reduce corrosion and shaft-to-spider seizure.</p>
<p>Built-in hour meter and tachometer allows accurate tracking of run time and engine speed, improving service interval management.</p>	<p>Improved grease fitting placement positioned farther out for easier access and more consistent lubrication.</p>	<p>Rotated engine orientation (180°) prevents oil migration and hydrolock when placed in service mode, while also improving balance.</p>
<p>Durable cam-based adjustment system resists wear compared to knurled or squeeze-style designs.</p>	<p>Improved machine balance – Engine offset slightly forward to better counter centrifugal and gyroscopic forces during operation.</p>	<p>Front-mounted wheel kit (optional) slides beneath the machine, offering improved maneuverability.</p>

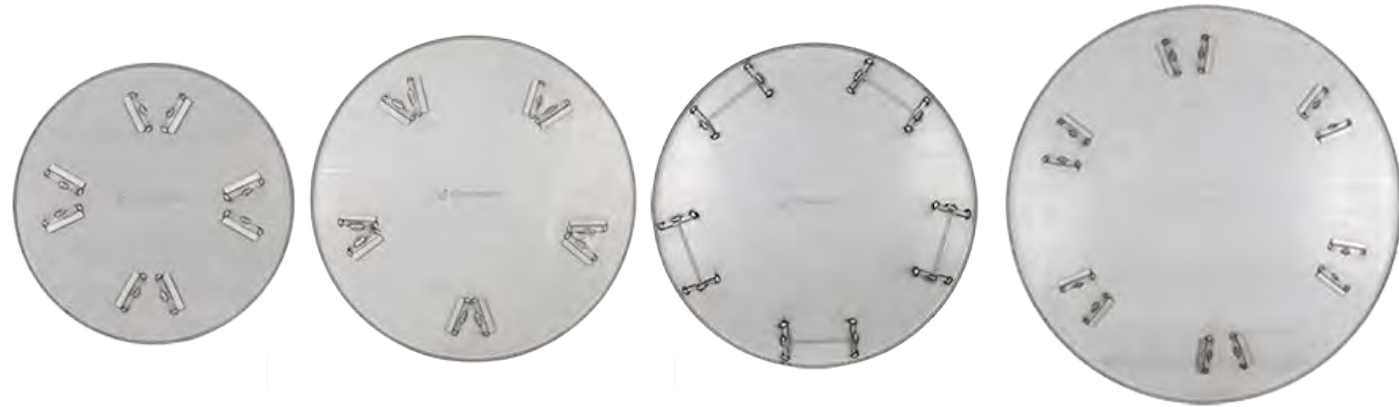
A SMOOTH AND DURABLE FINISH EVERY TIME.

Superabrasive produces a variety of trowel blades and float pans for walk-behind and ride-on power trowels, including Allen, Bartell, Champion, Dart, ESI, Essick, Kelley, MBW, Morrison, Muller, Oscar, Rhin-O-Tuff, Toro / Stone, Wacker, Whiteman. Featuring high quality blue steel for optimal blade life and performance!



Part Number	Rotor Diam (inch)	Blade Size (inch)	Blade Type	Thread	Blades per Ctn.	Weight
SBC4759M100	24"	4 3/4 x 9	Combination	M6	4	5 lbs / 2.3 kg
SBC4759M105	24"	4 3/4 x 9	Combination	M6	4	5 lbs / 2.3 kg
SBF614	36"	6x14	Finish	5/16-18	4	10.4 lbs / 4.7 kg
SBF614M	36"	6x14	Finish	M8	4	10.4 lbs / 4.7 kg
SBFR614	36"	6x14	Finish(Round Corners)	5/16-18	4	11.5 lbs / 5.2 kg
SBFR614M	36"	6x14	Finish(Round Corners)	M8	4	11.5 lbs / 5.2 kg
SBC814	36"	8x14	Combination	5/16-18	4	13.2 lbs / 6 kg
SBC814M	36"	8x14	Combination	M8	4	13.2 lbs / 6 kg
SBF618	46" / 48"	6x18	Finish	5/16-18	4	13.2 lbs / 6 kg
SBF618M	46" / 48"	6x18	Finish	M8	4	13.2 lbs / 6 kg
SBFR818	46" / 48"	8x18	Finish(Round Corners)	5/16-18	4	21.6 lbs / 9.8 kg
SBFRE818M	46" / 48"	8x18	Finish(Round Corners)	M8	4	21.6 lbs / 9.8 kg
SBC818	46" / 48"	8x18	Combination	5/16-18	4	17.4 lbs / 7.9 kg
SBC818M	46" / 48"	8x18	Combination	M8	4	17.4 lbs / 7.9 kg
SBF623	60"	6x23	Finish	5/16-18	4	17.7 lbs / 8 kg
SBFR823	60"	8x23	Finish(Round Corners)	5/16-18	4	28.4 lbs / 12.9 kg
SBC823	60"	8x23	Combination	5/16-18	4	28.2 lbs / 12.8 kg

Float pans clip on to the blades of a trowel machine and are used to flatten the slab. We offer heavy-duty steel float pans in different sizes: 36", 46", and 60", to fit a variety of power trowels. Featuring secure blade attachment with Clip-on or Safety Catch, and available in 3mm or 4mm (HD) thickness.



SPF365Z, 36" | 90cm
Z-Clips Pan, 4 blades

SPF465Z, 46" | 118cm
Z-Clips Pan, 5 blades

SPF465S, 46" | 118cm
Safety Catch Pan, 5 blades

SPF606Z, 60" | 150cm
Z-Clips Pan, 6 blades

Part Number	Rotor Diam	Blades	Fastening	Thickness	Dish	Weight
SPF364Z	90 cm / 36"	4	Z-Clips	3 mm	mild	18 kg
SPF364S	90 cm / 36"	4	Safety Catch	3 mm	mild	18 kg
SPF465Z	120 cm / 46"	5	Z-Clips	3 mm	mild	28 kg
SPF465S	120 cm / 46"	5	Safety Catch	3 mm	mild	28 kg
SPF46HD5Z	120 cm / 46"	5	Z-Clips	4 mm	mild	37 kg
SPF46HD5S	120 cm / 46"	5	Safety Catch	4 mm	mild	37 kg
SPF606Z	150 cm / 60"	6	Z-Clips	3.5 mm	mild	52 kg
SPF606S	150 cm / 60"	6	Safety Catch	3.5 mm	mild	51 kg

MADE BY SUPERABRASIVE. QUALITY YOU CAN TRUST.



FIND THE RIGHT BLADES AND PANS FOR YOUR SP TROWEL

BLADES	SP3	SP4	SP4S	SP8	SP8H	SP10HD
SBF614 (M)	X					
SBFR614 (M)	X					
SBC814 (M)	X					
SBF618 (M)		X	X	X	X	
SBC818 (M)		X	X	X	X	
SBRFR818 (M)		X	X	X	X	
SBF623						X
SBC823						X
SBFR823						X



PANS	SP3	SP4	SP4S	SP8	SP8H	SP10HD
SPF365Z	X					
SPF364S	X					
SPF464Z		X	X			
SPF465Z				X	X	
SPF465S				X	X	
SPF46HD5Z				X	X	
SPF46HD5S				X	X	
SPF606Z						X
SPF606S						X



Headquarters & Sales Office, USA:

Superabrasive Inc.
9411 Jackson Trail Rd.
Hoschton, GA 30548, USA
tel: +1 706 658 1122
toll free: 800 987 8403
email: info@superabrasive.us

Factory & European Sales Office, Bulgaria:

Superabrasive Ltd.
2A Rabolnicheska St.
6140 Krun, Bulgaria
tel: +359 431 64477
email: factory@superabrasive.com



superabrasive.com

