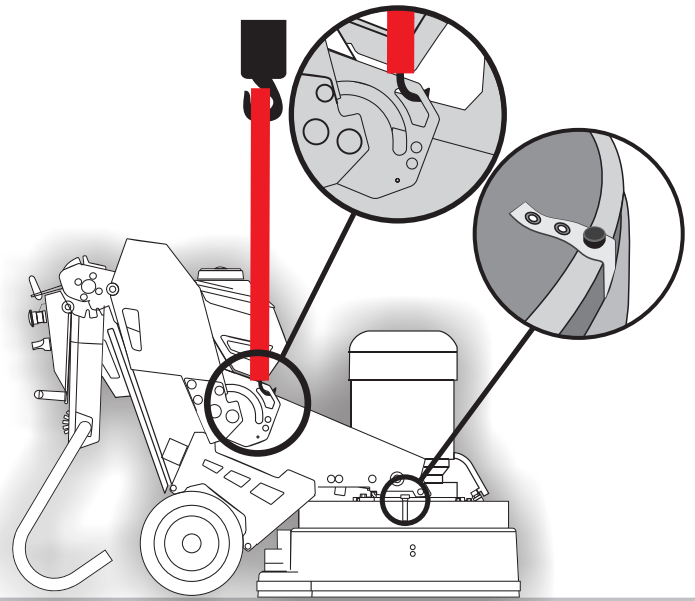
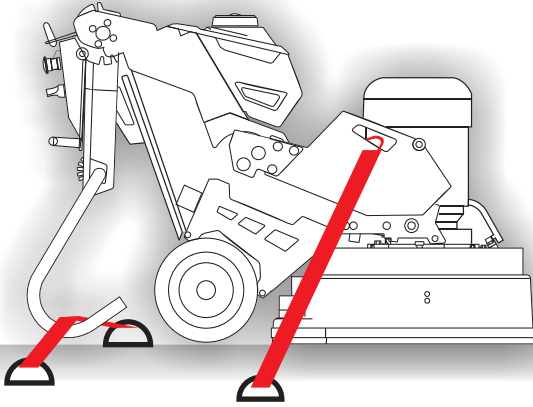


LAVINA

by  SUPERABRASIVE

OPERATOR'S QUICK GUIDE L20S7 ELECTRIC GRINDERS

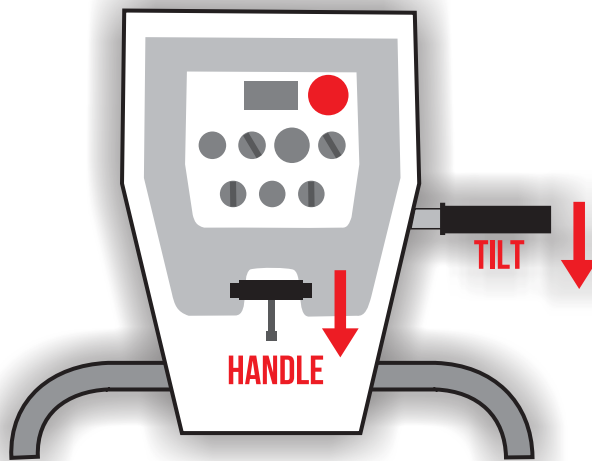
TRANSPORTING AND LIFTING



USE THE WEIGHT HANDLES AND THE HANDLEBAR AS ANCHORING POINTS DURING TRANSPORTATION. MAKE SURE MACHINE IS SECURELY ANCHORED, AND GRINDING HEAD COVER IS LOWERED DOWN / LOCKED. TIGHTEN THE STRAPS OVER NON-MOVING PARTS, E.G. MACHINE CHASSIS.

LAVINA MACHINES HAVE TWO LIFT POINTS. WHEN LIFTING MACHINE, MAKE SURE THE WEIGHTS ARE IN BACKWARDS POSITION, AND THE GRINDING HEAD COVER IS RAISED / LOCKED IN TRANSPORT POSITION.

HANDLE ADJUSTMENT



THE MACHINE IS EQUIPPED WITH TWO LOCKING MECHANISMS – ONE FOR TILT AND ONE FOR HANDLE ADJUSTMENT. PULL THE LEVER TOWARDS OPERATOR TO UNLOCK AND ADJUST TILT / HANDLE TO DESIRED POSITION. THE MECHANISM LOCKS ITSELF BACK.

IMPORTANT!

IF THE LOCKING MECHANISMS START MAKING NOISE OR MOVE ROUGHLY, LUBRICATION IS RECOMMENDED. CHECK YOUR MACHINE MANUAL FOR LUBRICANT TYPE.

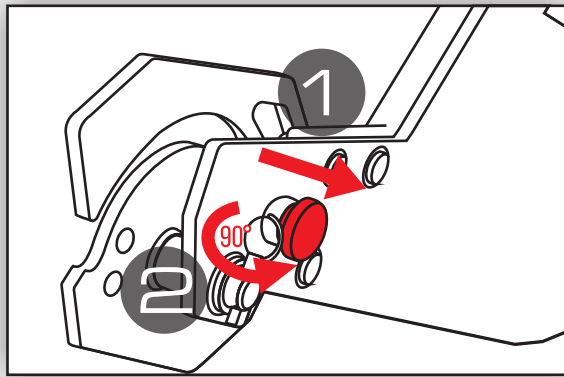
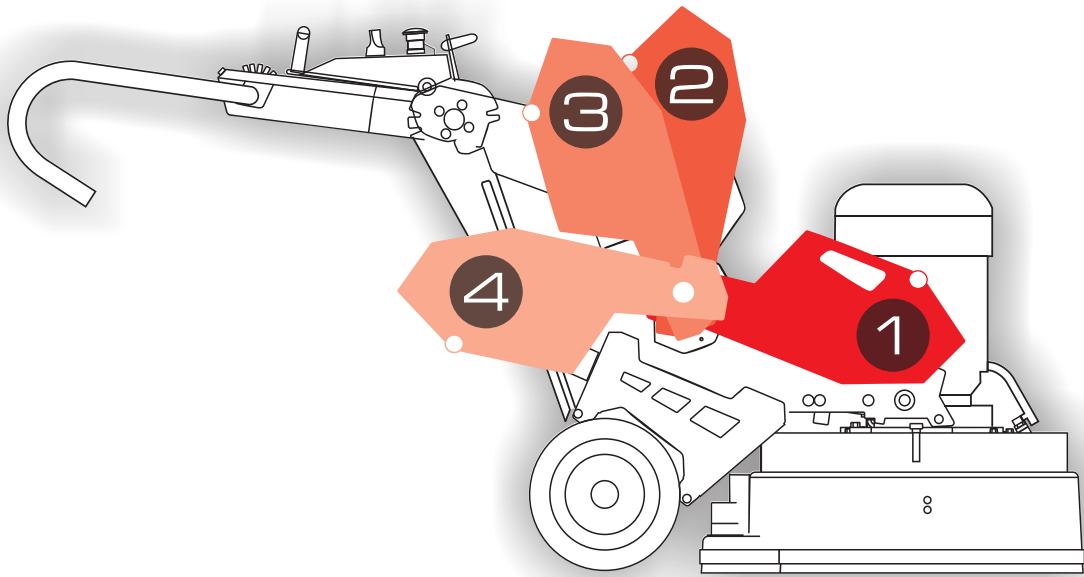
REGISTER YOUR MACHINE WARRANTY WITHIN 30 DAYS OF PURCHASE - SCAN THE QR CODE OR GO TO [SUPERABRASIVE.COM / WARRANTY-REGISTRATION](http://SUPERABRASIVE.COM/WARRANTY-REGISTRATION)



DOWNLOAD YOUR MACHINE MANUAL AT [SUPERABRASIVE.COM / MACHINE-MANUALS](http://SUPERABRASIVE.COM/MACHINE-MANUALS), OR SCAN THE QR CODE.

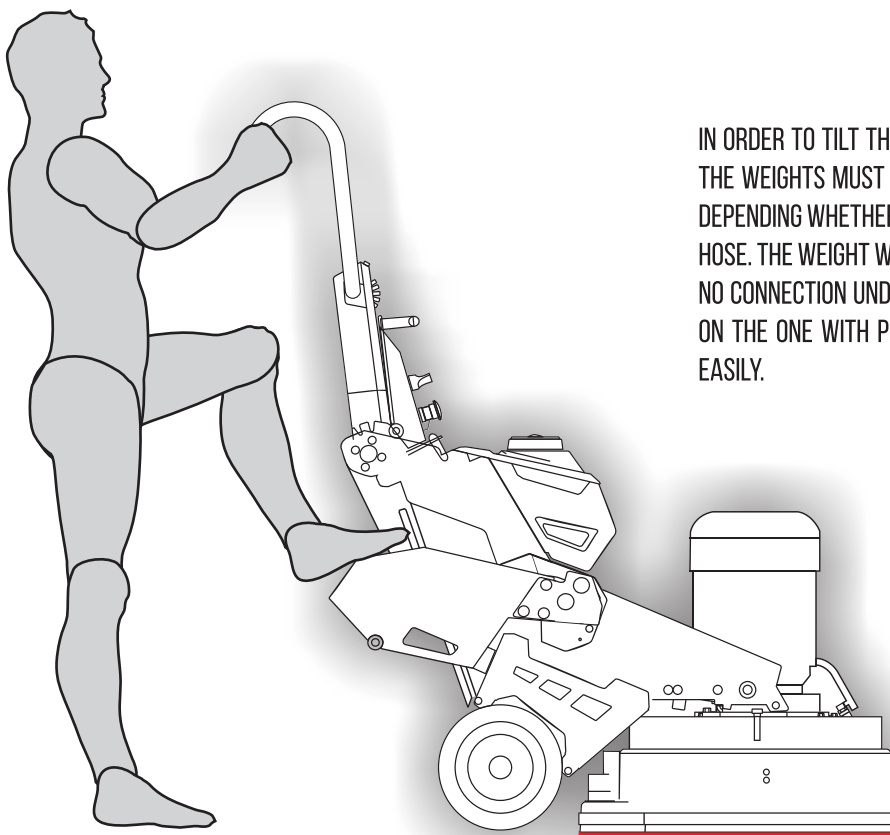


WEIGHTS



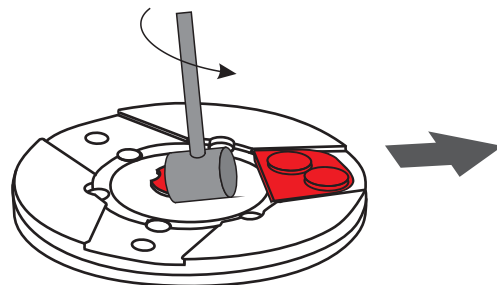
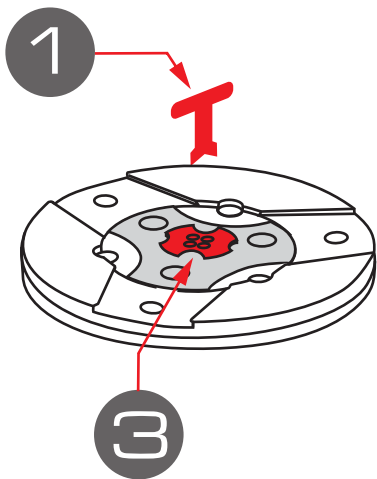
TO MOVE THE WEIGHTS, RELEASE THE LOCKING KNOB BY PULLING IT, AND THEN RELEASE IT TO LOCK INTO THE NEW DESIRED POSITION.

THE LOCKING KNOB HAS A REST POSITION. PULL IT TO UNLOCK AND ROTATE TO 90 DEGREES - IN THIS POSITION, THE WEIGHTS ARE FREE TO MOVE.



IN ORDER TO TILT THE MACHINE FOR TOOL CHANGE. ONE OF THE WEIGHTS MUST BE IN POS.4 AND THE OTHER IN POS. 3 DEPENDING WHETHER YOU ARE USING WATER HOSE OR DUST HOSE. THE WEIGHT WITH POSITION 4 MUST BE THE ONE WITH NO CONNECTION UNDERNEATH IT. THE OPERATOR CAN STEP ON THE ONE WITH POS. 4 IN ORDER TO TILT THE MACHINE EASILY.

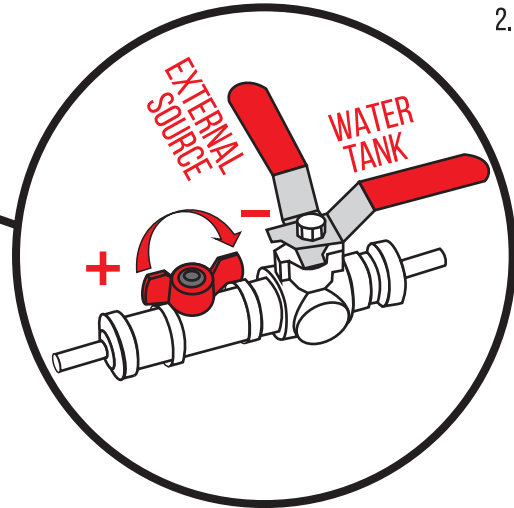
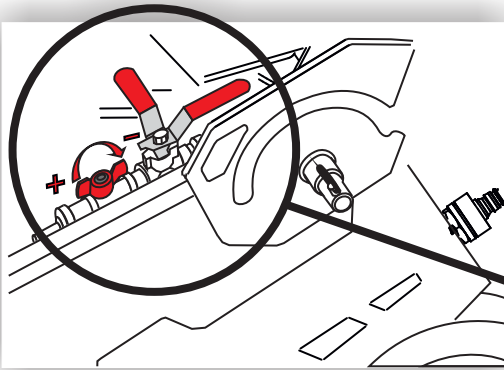
TOOL MOUNTING



USE THE TOOL HOLDER KEY / 1 / TO ROTATE THE KEY LOCK / 3 / IN ORDER TO UNLOCK AND REMOVE SECURITY PLATE / 2 /.

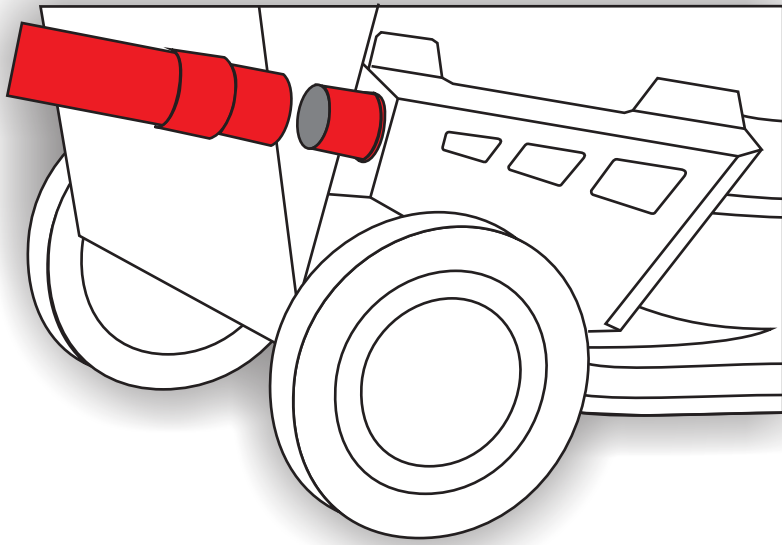
PLACE THE QUICKCHANGE TOOLS INTO THE TRAPEZOID SLOTS, PUT THE SECURITY PLATE BACK AS SHOWN, AND ROTATE THE KEY LOCK TO LOCK THE SECURITY PLATE.

WATER SYSTEM



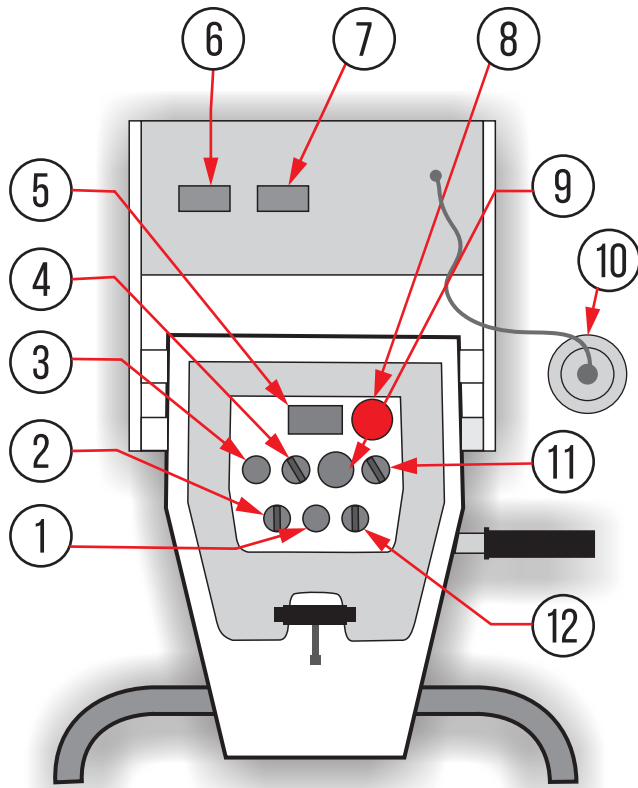
GRINDER IS EQUIPPED WITH A TWO-WAY WATER TAP.
1. CHOOSE WATER SOURCE - TANK OR HOSE.
2. ADJUST WATER FLOW.

CONNECTING A VACUUM



THE VACUUM HOSE PORT IS SITUATED ON THE BACK OF THE MACHINE.
IT HAS A DIAMETER OF 50 MM OR 2 INCHES.

CONTROL BOARD



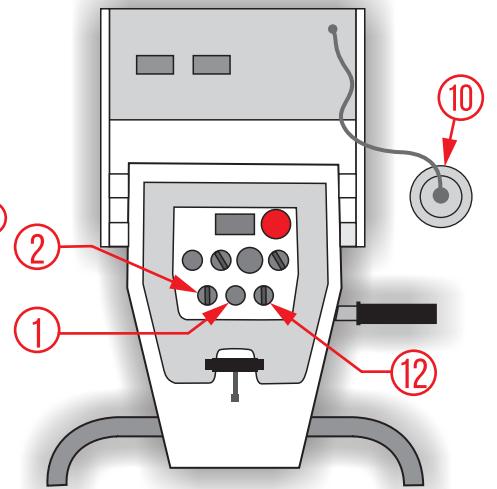
1. POWER INDICATOR
2. READY ON/OFF
3. RESET ALARMS
4. LIGHTS ON/OFF
5. TACHOMETER (TOOL HOLDER RPM)
6. USB PORT
7. HOUR METER
8. EMERGENCY STOP BUTTON
9. POTENTIOMETER
10. POWER PLUG
11. FORWARD / REVERSE
12. RUN / STOP

STARTING MACHINE

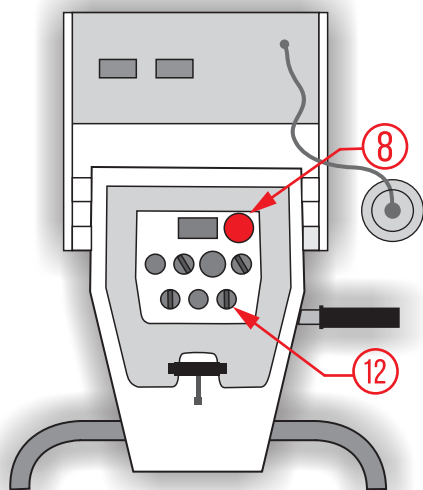
PLUG THE MACHINE INTO POWER SUPPLY (10)
- THE POWER INDICATOR MUST GLOW IN GREEN. (1)

TURN THE "READY ON/OFF" SWITCH TO ON TO POWER THE CONTROL BOARD. (2)

USE THE "RUN / STOP" SWITCH TO RUN THE MACHINE. (12)



STOPPING MACHINE



USE THE "RUN / STOP" SWITCH (12)
OR THE EMERGENCY STOP BUTTON (8) TO STOP THE MACHINE.

IN CASE OF EMERGENCY, ALWAYS PRESS THE EMERGENCY STOP BUTTON.